

FGU03-S

PHOTOELECTRIC LABEL SENSOR



Safety Warning

- Do not use in an environment with flammable, explosive or corrosive gases.
- Do not use in an environment with oil or chemicals.
- Do not use in an environment with high humidity.
- Do not use in direct sunlight.
- Do not use under other environmental conditions that exceed the rated value.
- Do not disassemble, repair or modify the product without permission.

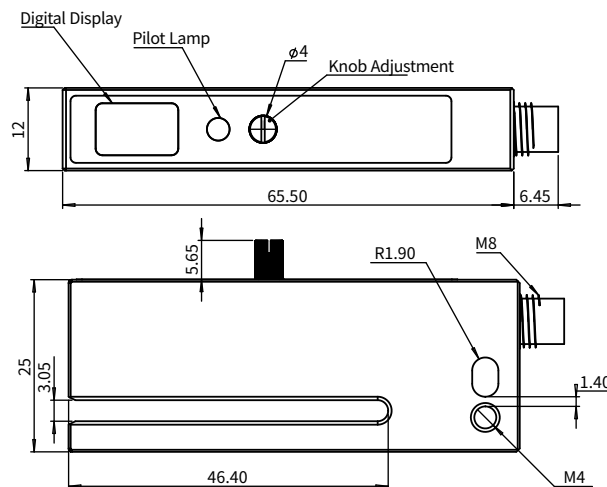
End-of-life Disposal

When the product is disposed of, please dispose of it as industrial waste.

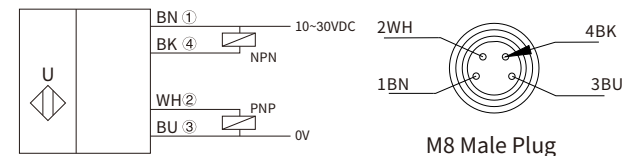
Specification

Model number	FGU03-S
Output type	NPN, PNP dual output
Detect object	Non-transparent labels
Connection mode	M8 4PIN connector
Supply voltage	10-30VDC
Slot width	3mm
Slot depth	44mm
Control output	Transistor open-collector output
Sensitivity setting	Button adjustment and external multi-turn knob adjustment
Maximum output current	100mA
Consumption current	25mA
Response time	0.1ms
Switch frequency	10KHz
Power reverse polarity protection	Built-in
Short circuit and overload protection	Built-in
Light/Dark on	Light/Dark on reversible
Ambient temperature/humidity	0-60°C/0-80%RH
Ingress Protection rating	IP66
Size	65.5*12*25mm
Housing material	Aluminum alloy/Anodic oxidation

Dimensions



Wiring Diagram



Operating Instructions

1. This series of products for the photoelectric detection principle to detect the label gap, the minimum gap width is greater than 1MM, can detect the paper base on the paper, PVC, PU and other labels with different characteristics of obvious light transmission.
2. The product uses a metal casing, strong and anti-collision, in use, please keep the detection position is not contaminated by dust.
3. This product with digital display, intuitive display sensitivity.

Operation instructions:

Move the label seam correspondingly to the sensor detection position and rotate the knob so that the display shows a number of 18 or so.

*Product specifications are subject to change without notice.

For more information or if you have any questions or suggestions about this product, please feel free to contact us.

Product specifications are subject to change without notice.

For more information or if you have any questions or suggestions about this product, please feel free to contact us.