

FGNH08/FJNH08 Series

SUBMINIATURE LASER PHOTOELECTRIC SENSOR



Safety Warning

- Do not use in an environment with flammable, explosive or corrosive gases.
- Do not use in an environment with oil or chemicals.
- Do not use in an environment with high humidity.
- Do not use in direct sunlight.
- Do not use under other environmental conditions that exceed the rated value.
- Do not disassemble, repair or modify the product without permission.

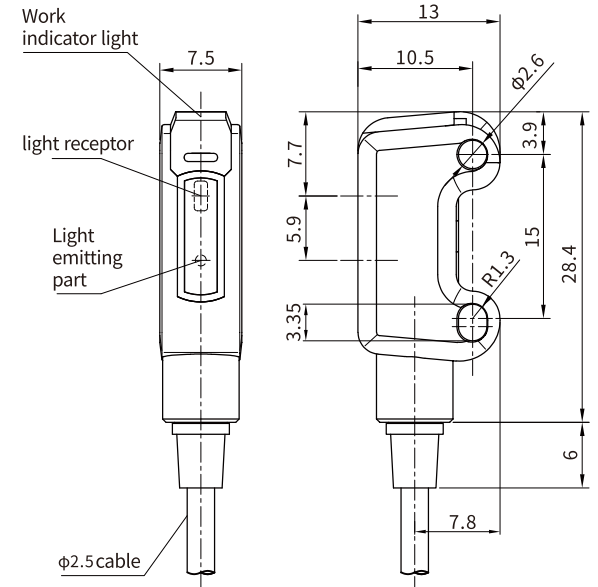
End-of-life Disposal

When the product is disposed of, please dispose of it as industrial waste.

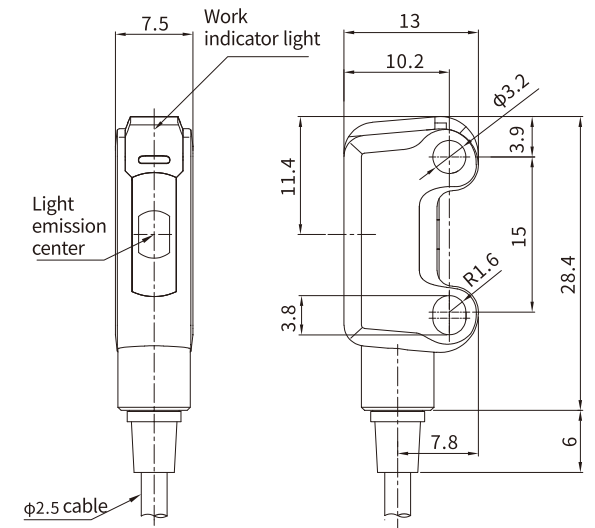
Specification

Type	Diffuse Reflection Type	Through Beam	
Model	NPN	FGNH08-05NF-B	FJNH08-150NFT-C
	PNP	FGNH08-05PF-B	FJNH08-150PFT-C
Detection Distance	Matte black paper: 2-35mm White paper 100x100: 2-50mm	150cm	
Consumption current	≤15mA	30mA max	
Spot Size	Φ4mm	At a distance of 0.5m: Φ3.5mm At a distance of 1.0m: Φ7mm	
Light source (wavelength)	Red Light LED(650nm)	laser	
Stress Difference	Less than 20% of the detection distance		
Supply Voltage	DC 12~24V		
Response Time	1ms		
Ambient Temperature	-10~+50°C		
Ambient Humidity	35%~85%		
Storage Temperature Storage Humidity	-20~+60°C/35%~95%		
Vibration (durability)	10~55Hz, 1.5mm dual amplitude, up to 1h in the X, Y, and Z directions		
Impact (durability)	500m/s ² Dual amplitude, 3 times in X, Y, and Z directions		
Protection Grade	IP65		
Protection Circuit	Positive and negative pole reverse connection protection, load short circuit protection		
Output Indicator Light	Orange LED		
Power Indicator Light	Green LED		
Sensitivity Modulation	Non adjustable		
NO/NC Mode	switchable		
Connection Method	Lead out type (standard wire length of 2m)		
Shell Material	SUS316L		

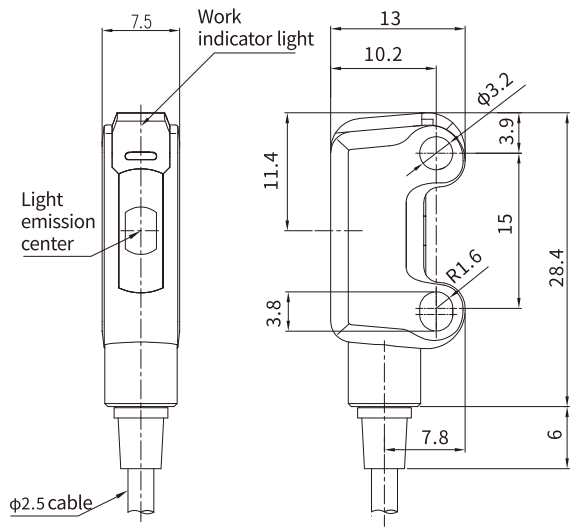
Dimensions



Diffuse Reflection Type

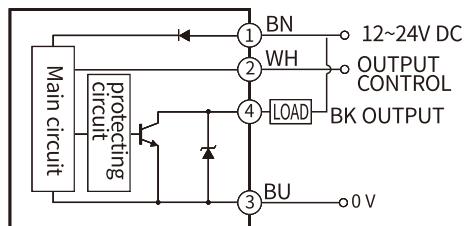


Through Beam (Emitter)

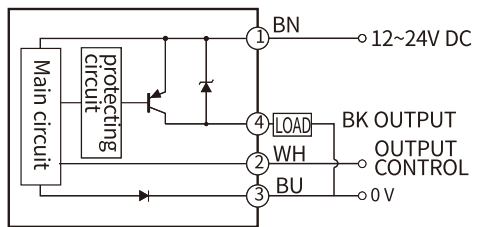


Through Beam(Receiver)

Wiring Diagram



NPN Output



PNP Output

Product specifications are subject to change without notice.

For more information or if you have any questions or suggestions about this product, please feel free to contact us.